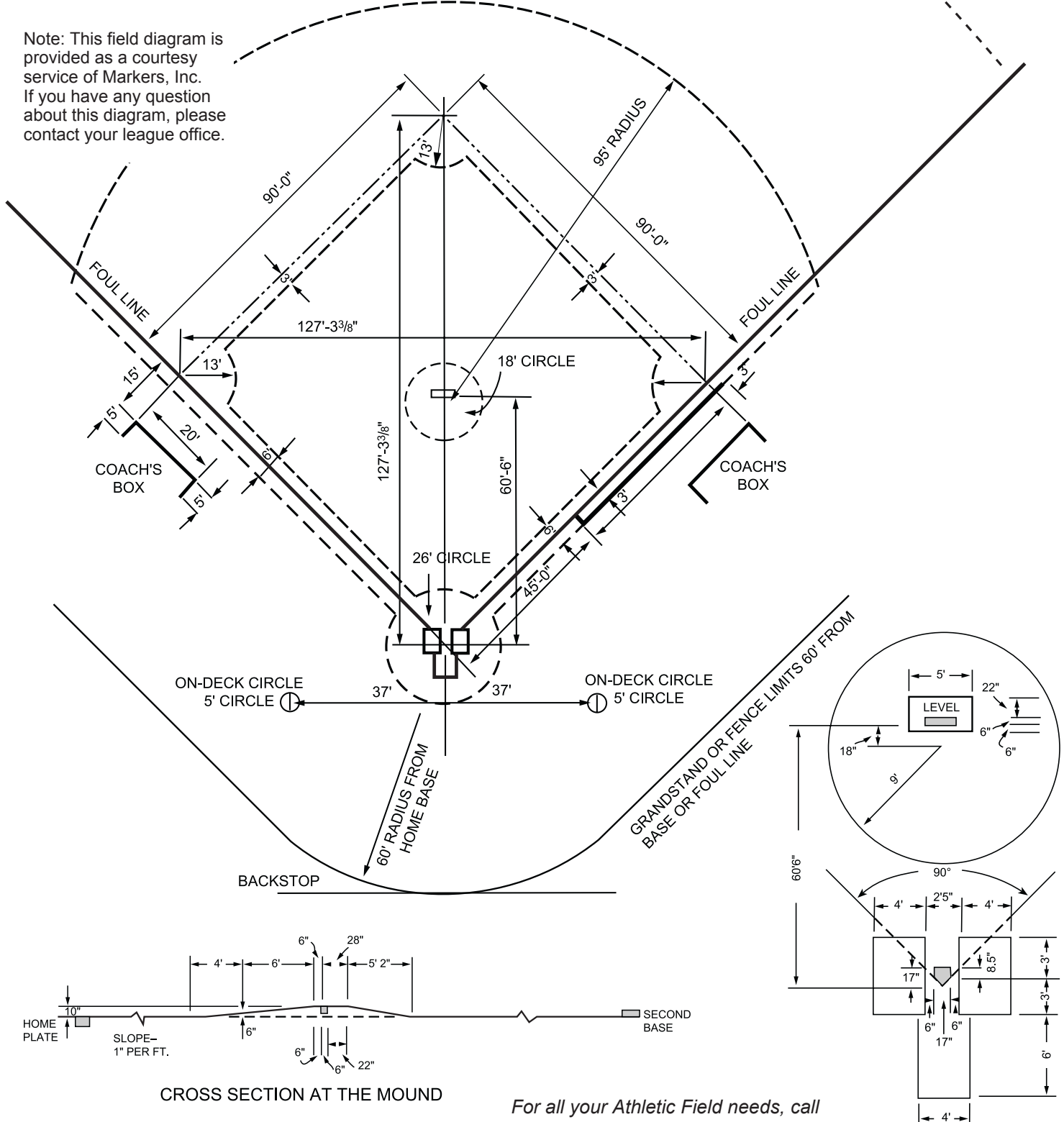


College / High School Baseball Field Dimensions

LEGEND

- BASE LINES
- GRASS LINES
- WHITE LINES

Note: This field diagram is provided as a courtesy service of Markers, Inc. If you have any question about this diagram, please contact your league office.



CROSS SECTION AT THE MOUND

For all your Athletic Field needs, call

1-800-969-5920

MARKERS, INC.

Quality Products at Reasonable Prices

College / High School Baseball Field Dimensions
Courtesy of Markers, Inc. 33597 Pin Oak Parkway,
Avon Lake, Ohio 44012 www.Markersinc.com